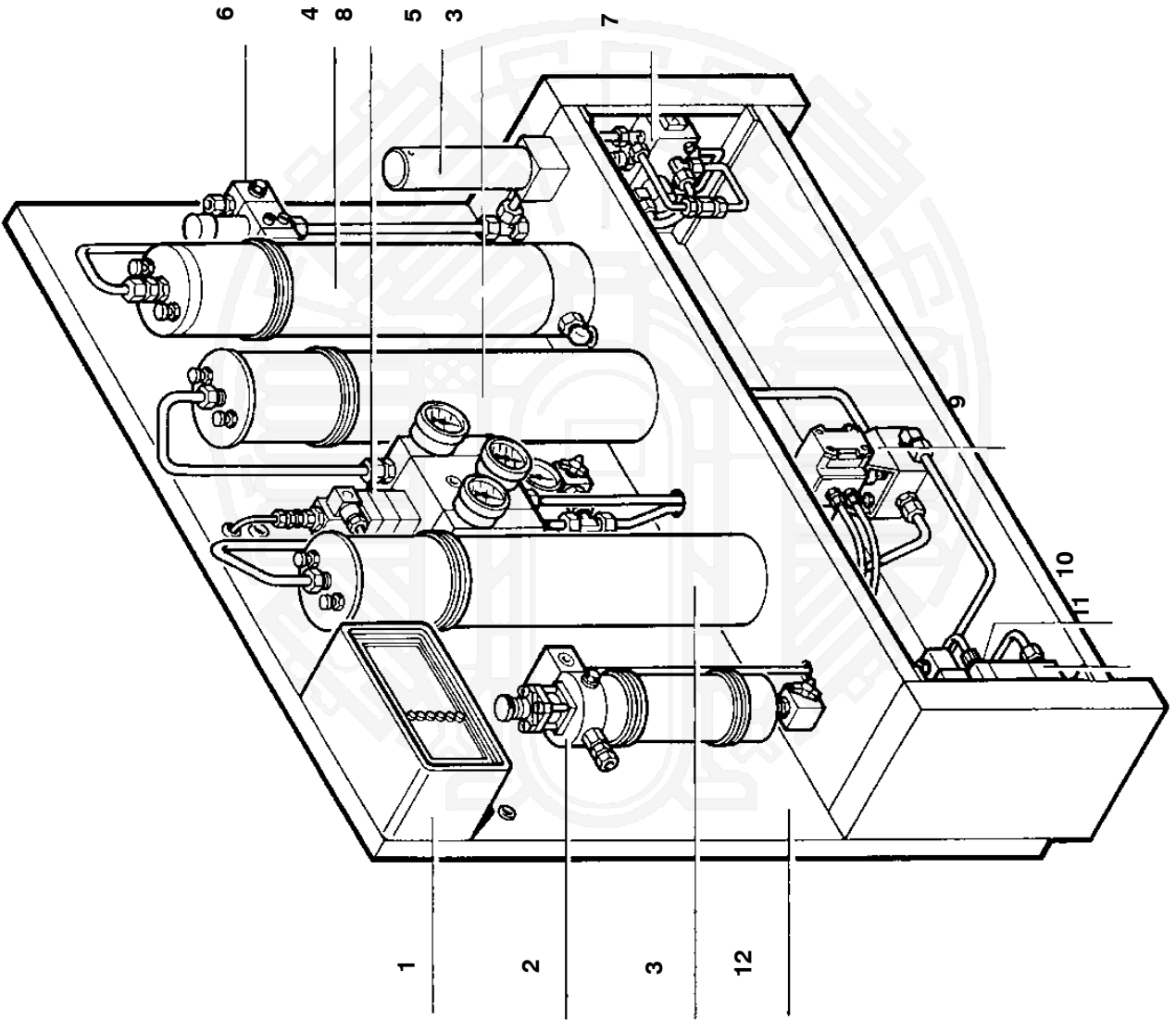
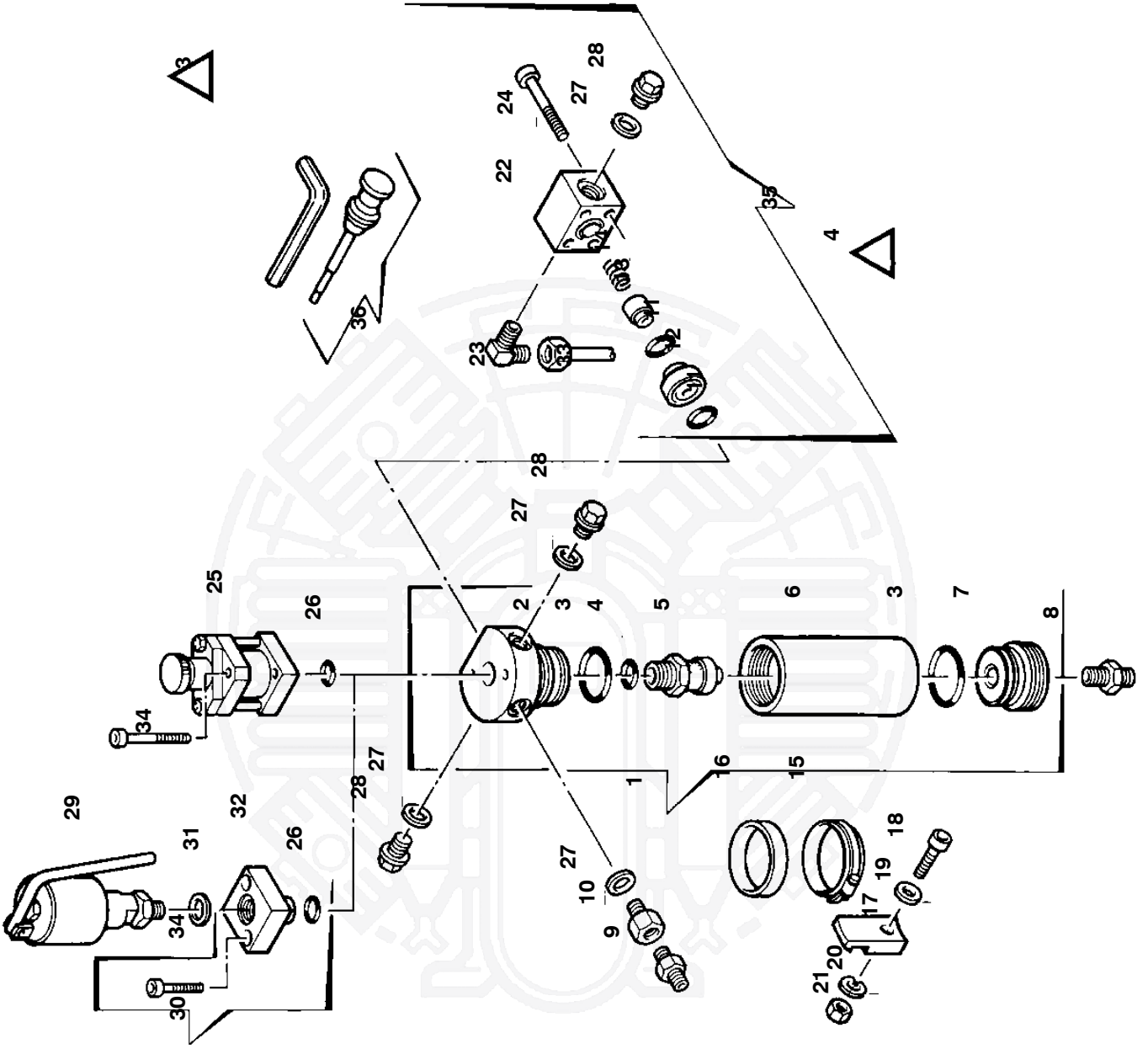


Part No.	Part Name	Qty	Unit	Notes
094038-430	Oil and water separator	1	EA	Separator d'huile et d'eau
056795-341	Pressure maintaining/flow return valve	1	EA	Clapet de maintien de pression/retour
060768-370	Valve block and pressure compensating system	1	EA	Bloc à clapet et système de compensation de pression
060769-370	Automatic condenser drain housing	1	EA	Prise automatique des condensats console





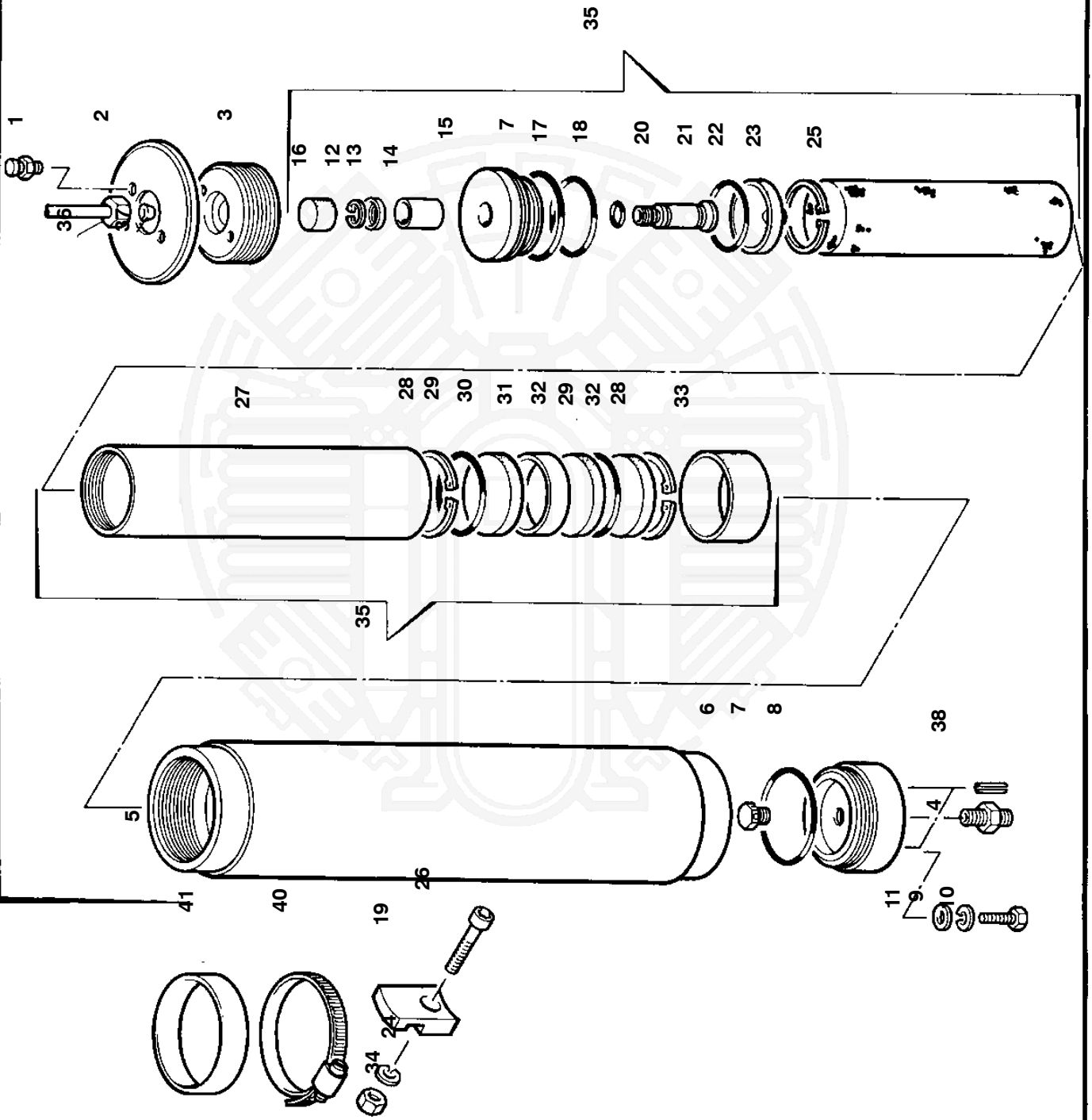


Part No.	Part Name	QTY	Unit	Material	Notes	Dimensions
1	Spate-partis-ecis	1	PC	65.4-3 OH and water separator	Charge no.	
2	Oil	1	L	Oil and water separator		
3	Oil	1	L	Oil and water separator		
4	Oil	1	L	Oil and water separator		
5	Oil	1	L	Oil and water separator		
6	Oil	1	L	Oil and water separator		
7	Oil	1	L	Oil and water separator		
8	Oil	1	L	Oil and water separator		
9	Oil	1	L	Oil and water separator		
10	Oil	1	L	Oil and water separator		
11	Oil	1	L	Oil and water separator		
12	Oil	1	L	Oil and water separator		
13	Oil	1	L	Oil and water separator		
14	Oil	1	L	Oil and water separator		
15	Oil	1	L	Oil and water separator		
16	Oil	1	L	Oil and water separator		
17	Oil	1	L	Oil and water separator		
18	Oil	1	L	Oil and water separator		
19	Oil	1	L	Oil and water separator		
20	Oil	1	L	Oil and water separator		
21	Oil	1	L	Oil and water separator		
22	Oil	1	L	Oil and water separator		
23	Oil	1	L	Oil and water separator		
24	Oil	1	L	Oil and water separator		
25	Oil	1	L	Oil and water separator		
26	Oil	1	L	Oil and water separator		
27	Oil	1	L	Oil and water separator		
28	Oil	1	L	Oil and water separator		
29	Oil	1	L	Oil and water separator		
30	Oil	1	L	Oil and water separator		
31	Oil	1	L	Oil and water separator		
32	Oil	1	L	Oil and water separator		
33	Oil	1	L	Oil and water separator		
34	Oil	1	L	Oil and water separator		
35	Oil	1	L	Oil and water separator		
36	Oil	1	L	Oil and water separator		

	DIVERSITY AND INCLUSIVITY	CIVIL RIGHTS	CIVIL RIGHTS	CIVIL RIGHTS	CIVIL RIGHTS	CIVIL RIGHTS	CIVIL RIGHTS	CIVIL RIGHTS	CIVIL RIGHTS	CIVIL RIGHTS	CIVIL RIGHTS	CIVIL RIGHTS	CIVIL RIGHTS	CIVIL RIGHTS	CIVIL RIGHTS	CIVIL RIGHTS	CIVIL RIGHTS	CIVIL RIGHTS	CIVIL RIGHTS	CIVIL RIGHTS	CIVIL RIGHTS	CIVIL RIGHTS	CIVIL RIGHTS	CIVIL RIGHTS	CIVIL RIGHTS	CIVIL RIGHTS	CIVIL RIGHTS



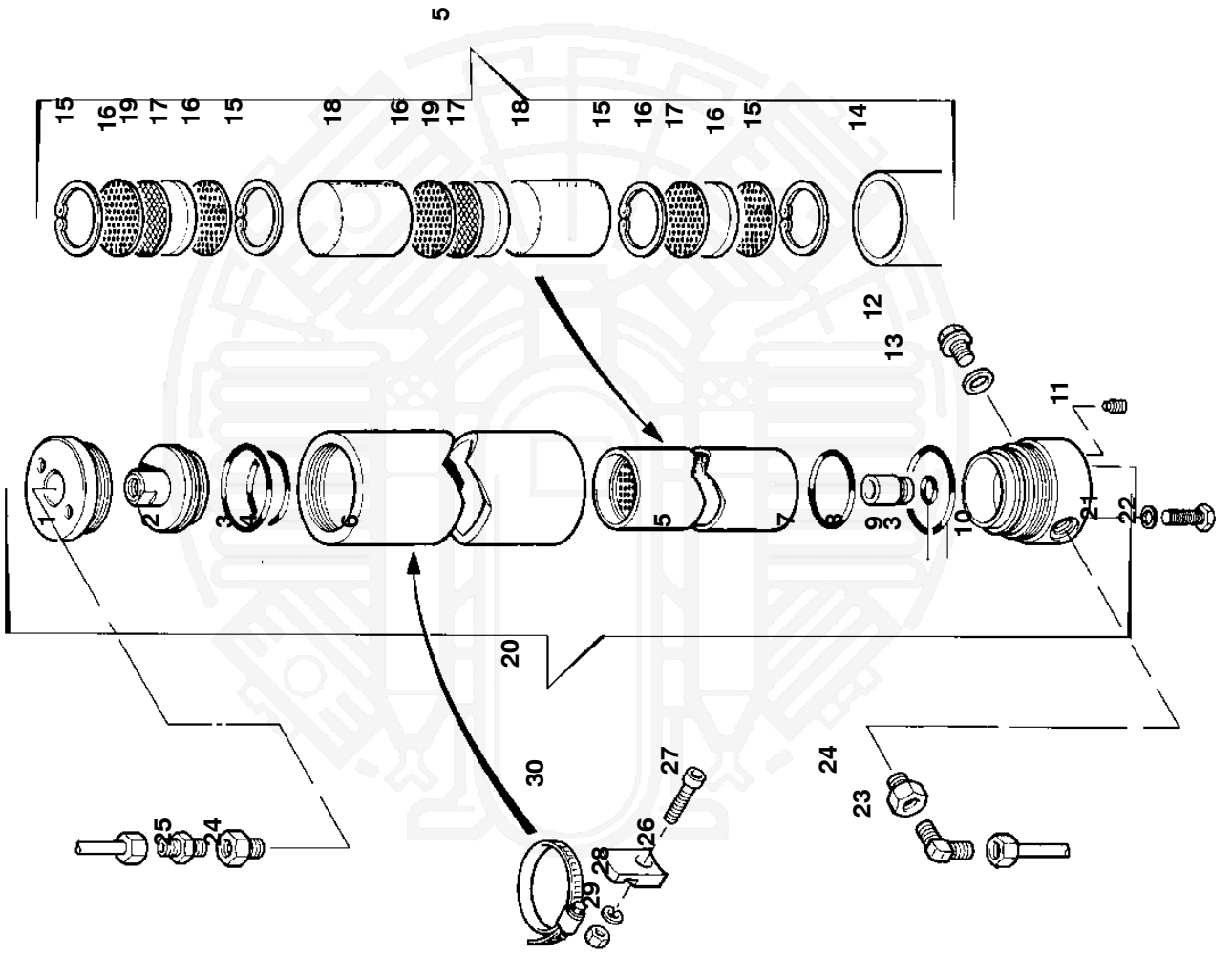
39



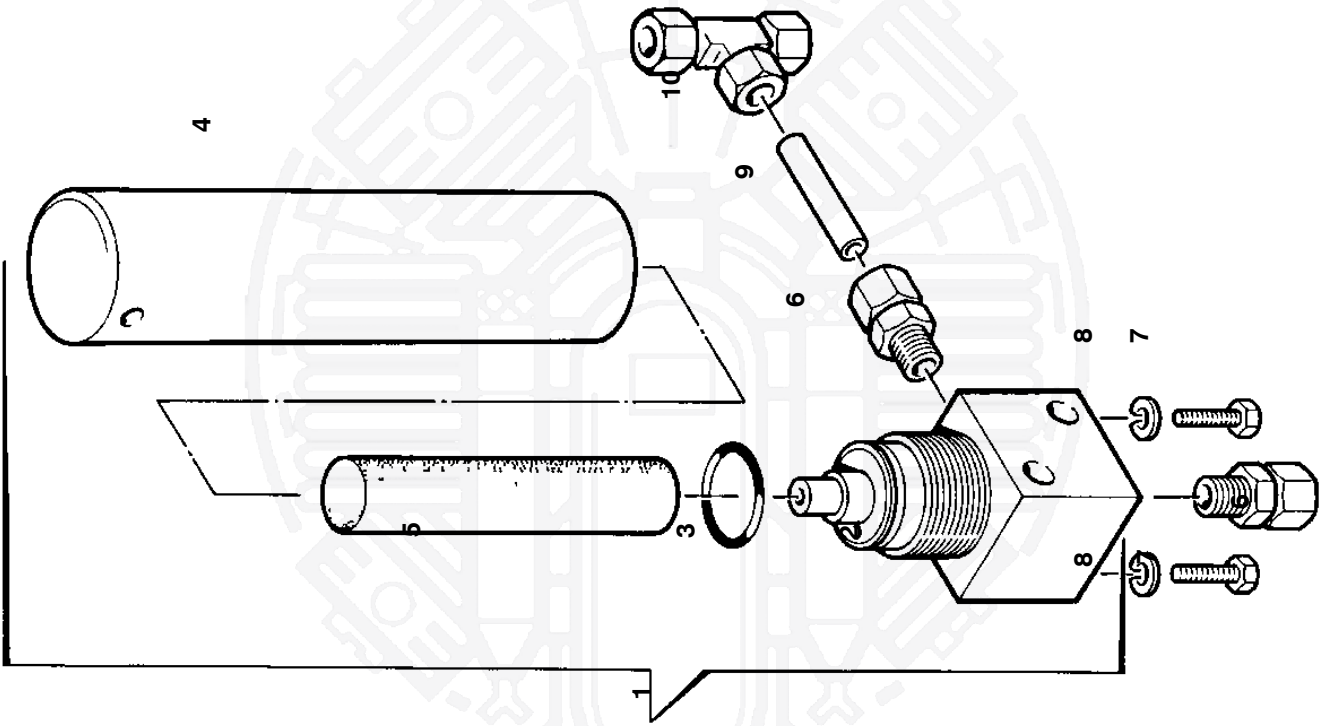


Class	Part No.	Qty	Description	Material	Notes	Ref
1	13502-410	1	Dispositif de fixation	Alu		
2	59292-655	1	Couvercle	Alu		
3	00202-410	1	Dispositif de fixation	Alu		
4	55202-470	1	Dispositif de fixation	Alu		
5	59301-410	1	Dispositif de fixation	Alu		
6	127024	1	Dispositif de fixation	Alu		
7	N1206	1	Dispositif de fixation	Alu		
10	N1112	1	Vis hexagonale	M12 x 20	DIN 933	
11	117024	1	Dispositif de fixation	Alu		
12	60902-410	1	Dispositif de fixation	Alu		
14	60399-410	1	Dispositif de fixation	Alu		
15	00202-410	1	Dispositif de fixation	Alu		
17	N14701	1	Dispositif de fixation	Alu		
18	N1882	1	Dispositif de fixation	Alu		
19	01072-410	1	Dispositif de fixation	Alu		
20	N1070	1	Dispositif de fixation	Alu		
22	60299-410	1	Dispositif de fixation	Alu		
23	127024	1	Dispositif de fixation	Alu		
24	N1071	1	Dispositif de fixation	Alu		
26	N1210	1	Dispositif de fixation	Alu		
27	00202-410	1	Dispositif de fixation	Alu		
28	N14702	1	Dispositif de fixation	Alu		
29	00202-410	1	Dispositif de fixation	Alu		
30	58499-410	1	Dispositif de fixation	Alu		
31	00202-410	1	Dispositif de fixation	Alu		
32	N1207	1	Dispositif de fixation	Alu		
33	N1207	1	Dispositif de fixation	Alu		
34	N1207	1	Dispositif de fixation	Alu		
35	00202-410	1	Dispositif de fixation	Alu		
37	N1204	1	Dispositif de fixation	Alu		
38	N1297	1	Dispositif de fixation	Alu		
39	00202-410	1	Dispositif de fixation	Alu		

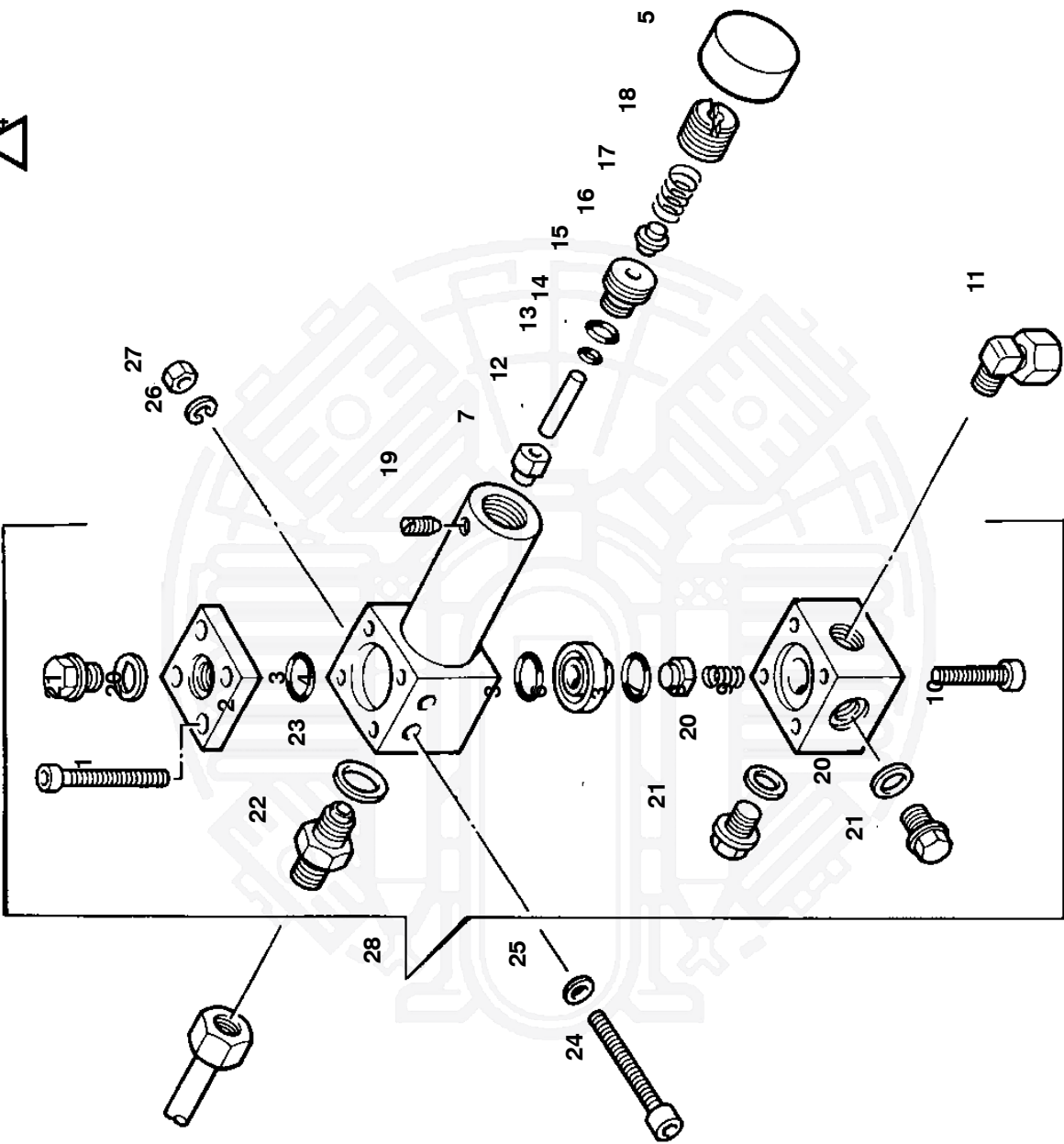




Class	Part No.	Qty	Description	Unit	Dimensions
1	56514-410	1	Vischraafschroef	Stk	
2	56585-410	1	Patronenafname	Stk	
3	N2024	1	Opvang	Stk	
4	05500-410	1	Filterhouzingsdeksel	Stk	
5	5572-430	1	Filterhouzing	Stk	
6	N2021	1	Opvang	Stk	
7	N2070	1	Opvang	Stk	
10	56515-430	1	Verschraafring	Stk	
11	55011-022	1	Opvangschroef	Stk	
12	N2016	1	Opvang	Stk	
14	55305-410	1	Patronenroter	Stk	
15	N2019	1	Opvangschroef	Stk	
17	55050-410	1	Filterkorf	Stk	
18	N65	1	Aktivkohlfilter	Stk	
19	55071-410	1	Opvangschroef	Stk	
20	N2020	1	Opvang	Stk	
21	N2020	1	Opvang	Stk	
22	N112	1	Sechskantschraaf	Stk	
23	N2021	1	Opvangschroef	Stk	
24	N2024	1	Opvang	Stk	
26	64570-410	1	Filterhouzer	Stk	
27	N2019	1	Opvangschroef	Stk	
28	N2027	1	Opvangschroef	Stk	
30	N2025	1	Schmeckelingschicht	Stk	
31	N2025	1	Schmeckelingschicht	Stk	
32	N2025	1	Schmeckelingschicht	Stk	
33	N2025	1	Schmeckelingschicht	Stk	
34	N2025	1	Schmeckelingschicht	Stk	
35	N2025	1	Schmeckelingschicht	Stk	
36	N2025	1	Schmeckelingschicht	Stk	
37	N2025	1	Schmeckelingschicht	Stk	
38	N2025	1	Schmeckelingschicht	Stk	
39	N2025	1	Schmeckelingschicht	Stk	
40	N2025	1	Schmeckelingschicht	Stk	
41	N2025	1	Schmeckelingschicht	Stk	
42	N2025	1	Schmeckelingschicht	Stk	
43	N2025	1	Schmeckelingschicht	Stk	
44	N2025	1	Schmeckelingschicht	Stk	
45	N2025	1	Schmeckelingschicht	Stk	
46	N2025	1	Schmeckelingschicht	Stk	
47	N2025	1	Schmeckelingschicht	Stk	
48	N2025	1	Schmeckelingschicht	Stk	
49	N2025	1	Schmeckelingschicht	Stk	
50	N2025	1	Schmeckelingschicht	Stk	
51	N2025	1	Schmeckelingschicht	Stk	
52	N2025	1	Schmeckelingschicht	Stk	
53	N2025	1	Schmeckelingschicht	Stk	
54	N2025	1	Schmeckelingschicht	Stk	
55	N2025	1	Schmeckelingschicht	Stk	
56	N2025	1	Schmeckelingschicht	Stk	
57	N2025	1	Schmeckelingschicht	Stk	
58	N2025	1	Schmeckelingschicht	Stk	
59	N2025	1	Schmeckelingschicht	Stk	
60	N2025	1	Schmeckelingschicht	Stk	
61	N2025	1	Schmeckelingschicht	Stk	
62	N2025	1	Schmeckelingschicht	Stk	
63	N2025	1	Schmeckelingschicht	Stk	
64	N2025	1	Schmeckelingschicht	Stk	
65	N2025	1	Schmeckelingschicht	Stk	
66	N2025	1	Schmeckelingschicht	Stk	
67	N2025	1	Schmeckelingschicht	Stk	
68	N2025	1	Schmeckelingschicht	Stk	
69	N2025	1	Schmeckelingschicht	Stk	
70	N2025	1	Schmeckelingschicht	Stk	
71	N2025	1	Schmeckelingschicht	Stk	
72	N2025	1	Schmeckelingschicht	Stk	
73	N2025	1	Schmeckelingschicht	Stk	
74	N2025	1	Schmeckelingschicht	Stk	
75	N2025	1	Schmeckelingschicht	Stk	
76	N2025	1	Schmeckelingschicht	Stk	
77	N2025	1	Schmeckelingschicht	Stk	
78	N2025	1	Schmeckelingschicht	Stk	
79	N2025	1	Schmeckelingschicht	Stk	
80	N2025	1	Schmeckelingschicht	Stk	
81	N2025	1	Schmeckelingschicht	Stk	
82	N2025	1	Schmeckelingschicht	Stk	
83	N2025	1	Schmeckelingschicht	Stk	
84	N2025	1	Schmeckelingschicht	Stk	
85	N2025	1	Schmeckelingschicht	Stk	
86	N2025	1	Schmeckelingschicht	Stk	
87	N2025	1	Schmeckelingschicht	Stk	
88	N2025	1	Schmeckelingschicht	Stk	
89	N2025	1	Schmeckelingschicht	Stk	
90	N2025	1	Schmeckelingschicht	Stk	
91	N2025	1	Schmeckelingschicht	Stk	
92	N2025	1	Schmeckelingschicht	Stk	
93	N2025	1	Schmeckelingschicht	Stk	
94	N2025	1	Schmeckelingschicht	Stk	
95	N2025	1	Schmeckelingschicht	Stk	
96	N2025	1	Schmeckelingschicht	Stk	
97	N2025	1	Schmeckelingschicht	Stk	
98	N2025	1	Schmeckelingschicht	Stk	
99	N2025	1	Schmeckelingschicht	Stk	
100	N2025	1	Schmeckelingschicht	Stk	

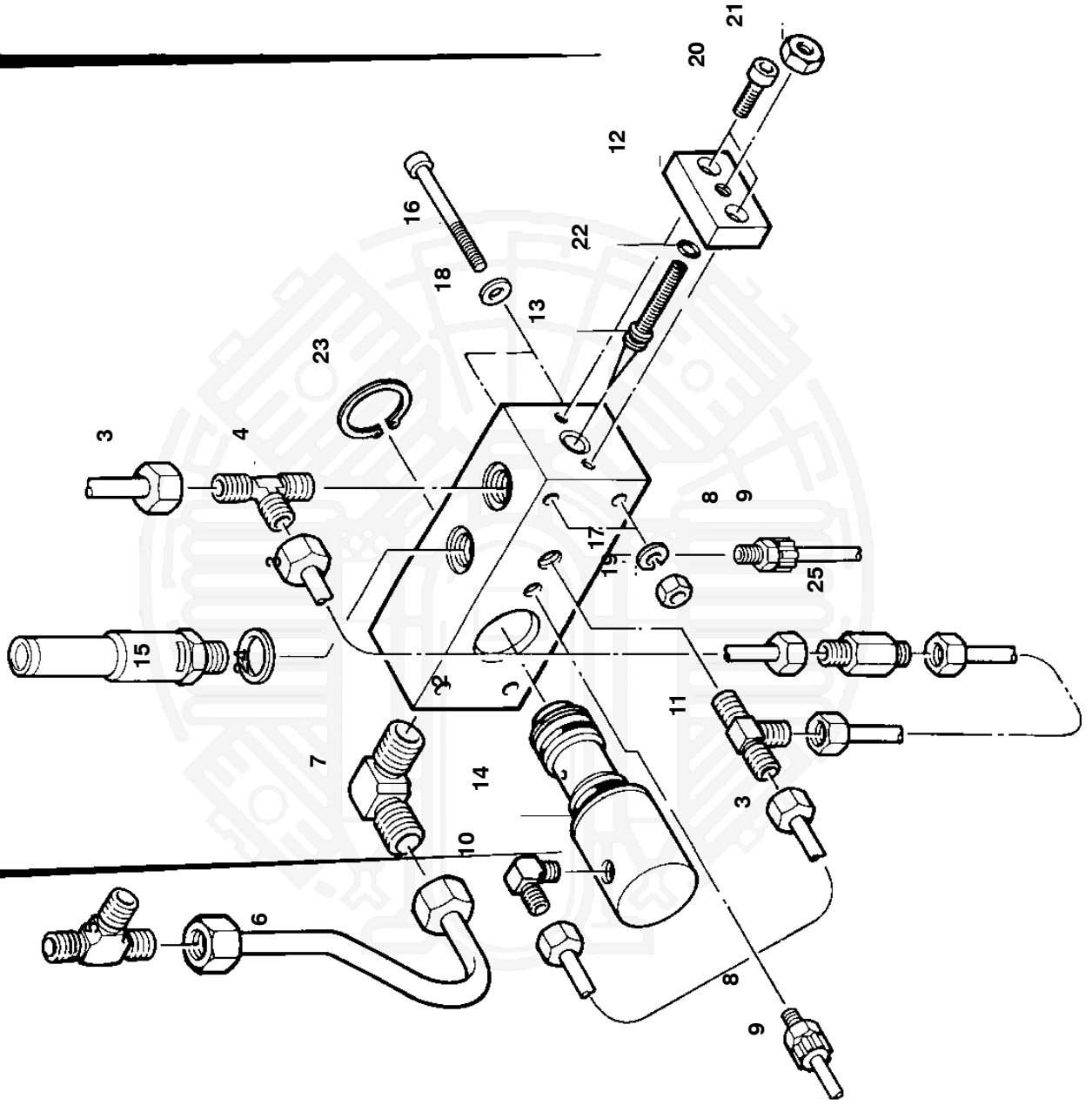


Class	Part. No.	Qty.	Description	Unit	Price	Total	Remarks
1	060400	410	Distrib. of loose parts				
2	60455-410		Header head				Chapeau
3	N402		Clamp				Clamp
4	N403		Clamp				Clamp
5	N404		Clamp				Clamp
6	N405		Clamp				Clamp
7	N406		Clamp				Clamp
8	N407		Clamp				Clamp
9	N408		Clamp				Clamp
10	N409		Clamp				Clamp
11	N410		Clamp				Clamp
12	N411		Clamp				Clamp
13	N412		Clamp				Clamp
14	N413		Clamp				Clamp
15	N414		Clamp				Clamp
16	N415		Clamp				Clamp
17	N416		Clamp				Clamp
18	N417		Clamp				Clamp
19	N418		Clamp				Clamp
20	N419		Clamp				Clamp
21	N420		Clamp				Clamp
22	N421		Clamp				Clamp
23	N422		Clamp				Clamp
24	N423		Clamp				Clamp
25	N424		Clamp				Clamp
26	N425		Clamp				Clamp
27	N426		Clamp				Clamp
28	N427		Clamp				Clamp
29	N428		Clamp				Clamp
30	N429		Clamp				Clamp
31	N430		Clamp				Clamp
32	N431		Clamp				Clamp
33	N432		Clamp				Clamp
34	N433		Clamp				Clamp
35	N434		Clamp				Clamp
36	N435		Clamp				Clamp
37	N436		Clamp				Clamp
38	N437		Clamp				Clamp
39	N438		Clamp				Clamp
40	N439		Clamp				Clamp
41	N440		Clamp				Clamp
42	N441		Clamp				Clamp
43	N442		Clamp				Clamp
44	N443		Clamp				Clamp
45	N444		Clamp				Clamp
46	N445		Clamp				Clamp
47	N446		Clamp				Clamp
48	N447		Clamp				Clamp
49	N448		Clamp				Clamp
50	N449		Clamp				Clamp
51	N450		Clamp				Clamp
52	N451		Clamp				Clamp
53	N452		Clamp				Clamp
54	N453		Clamp				Clamp
55	N454		Clamp				Clamp
56	N455		Clamp				Clamp
57	N456		Clamp				Clamp
58	N457		Clamp				Clamp
59	N458		Clamp				Clamp
60	N459		Clamp				Clamp
61	N460		Clamp				Clamp
62	N461		Clamp				Clamp
63	N462		Clamp				Clamp
64	N463		Clamp				Clamp
65	N464		Clamp				Clamp
66	N465		Clamp				Clamp
67	N466		Clamp				Clamp
68	N467		Clamp				Clamp
69	N468		Clamp				Clamp
70	N469		Clamp				Clamp
71	N470		Clamp				Clamp
72	N471		Clamp				Clamp
73	N472		Clamp				Clamp
74	N473		Clamp				Clamp
75	N474		Clamp				Clamp
76	N475		Clamp				Clamp
77	N476		Clamp				Clamp
78	N477		Clamp				Clamp
79	N478		Clamp				Clamp
80	N479		Clamp				Clamp
81	N480		Clamp				Clamp
82	N481		Clamp				Clamp
83	N482		Clamp				Clamp
84	N483		Clamp				Clamp
85	N484		Clamp				Clamp
86	N485		Clamp				Clamp
87	N486		Clamp				Clamp
88	N487		Clamp				Clamp
89	N488		Clamp				Clamp
90	N489		Clamp				Clamp
91	N490		Clamp				Clamp
92	N491		Clamp				Clamp
93	N492		Clamp				Clamp
94	N493		Clamp				Clamp
95	N494		Clamp				Clamp
96	N495		Clamp				Clamp
97	N496		Clamp				Clamp
98	N497		Clamp				Clamp
99	N498		Clamp				Clamp
100	N499		Clamp				Clamp

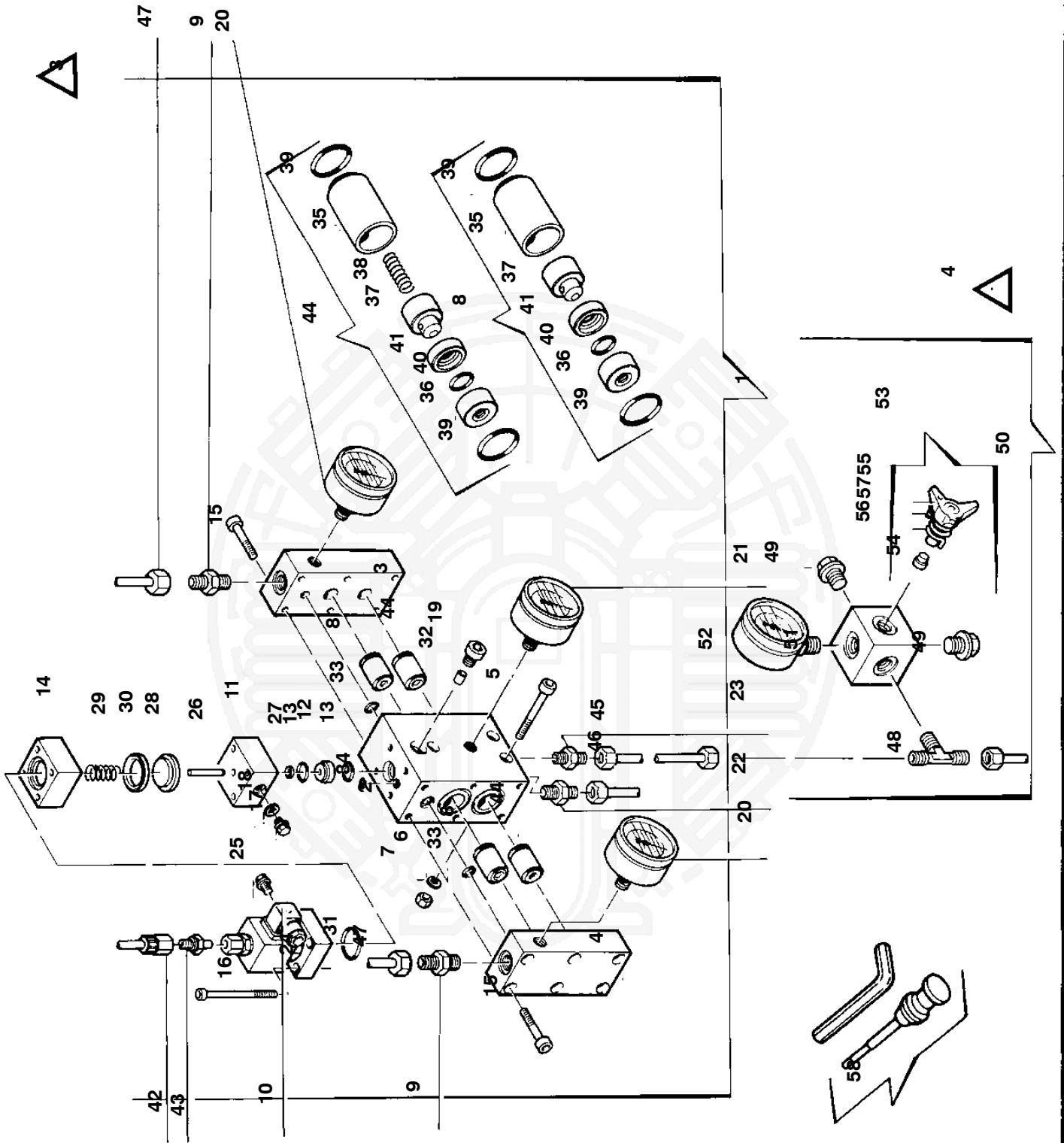






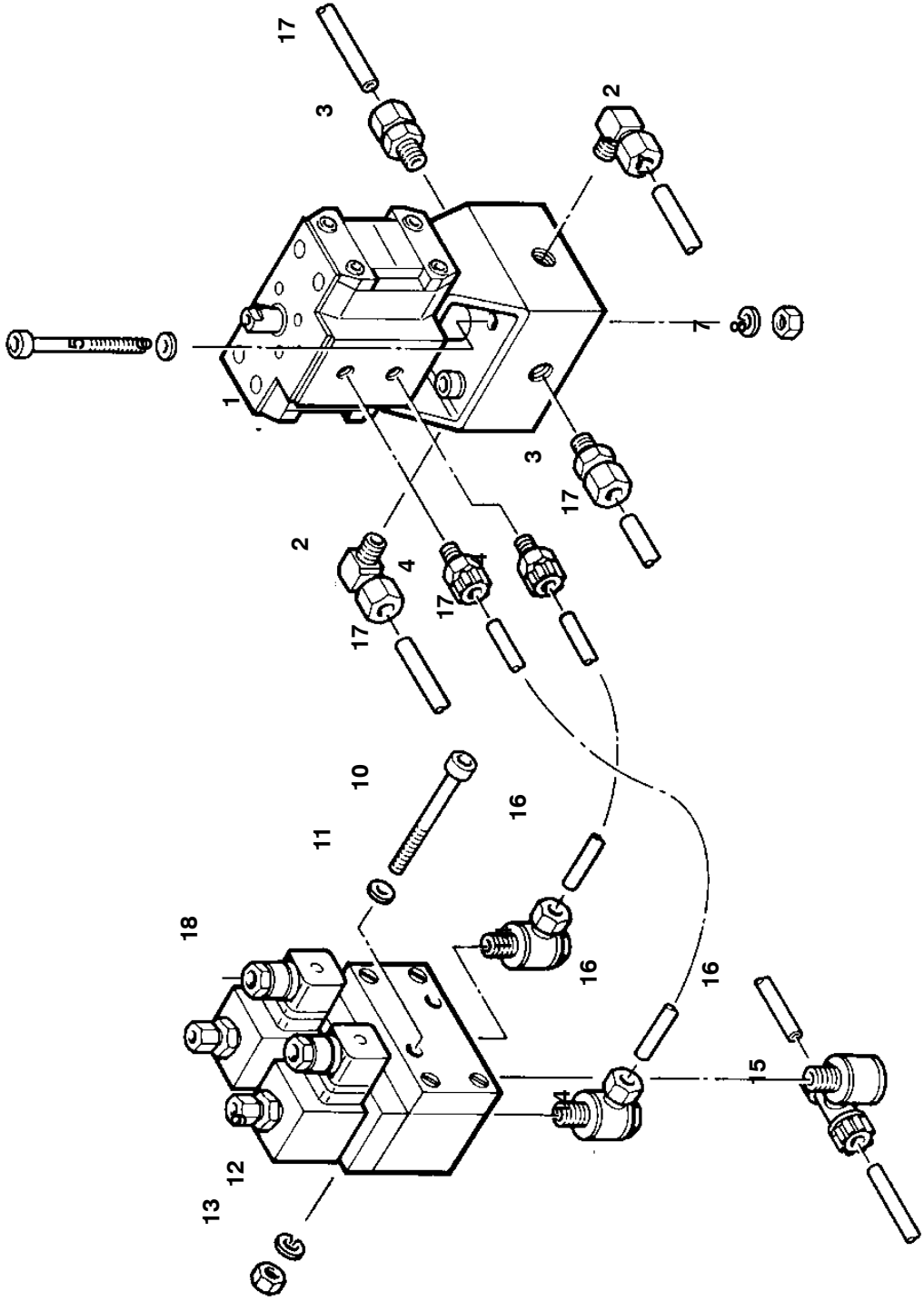




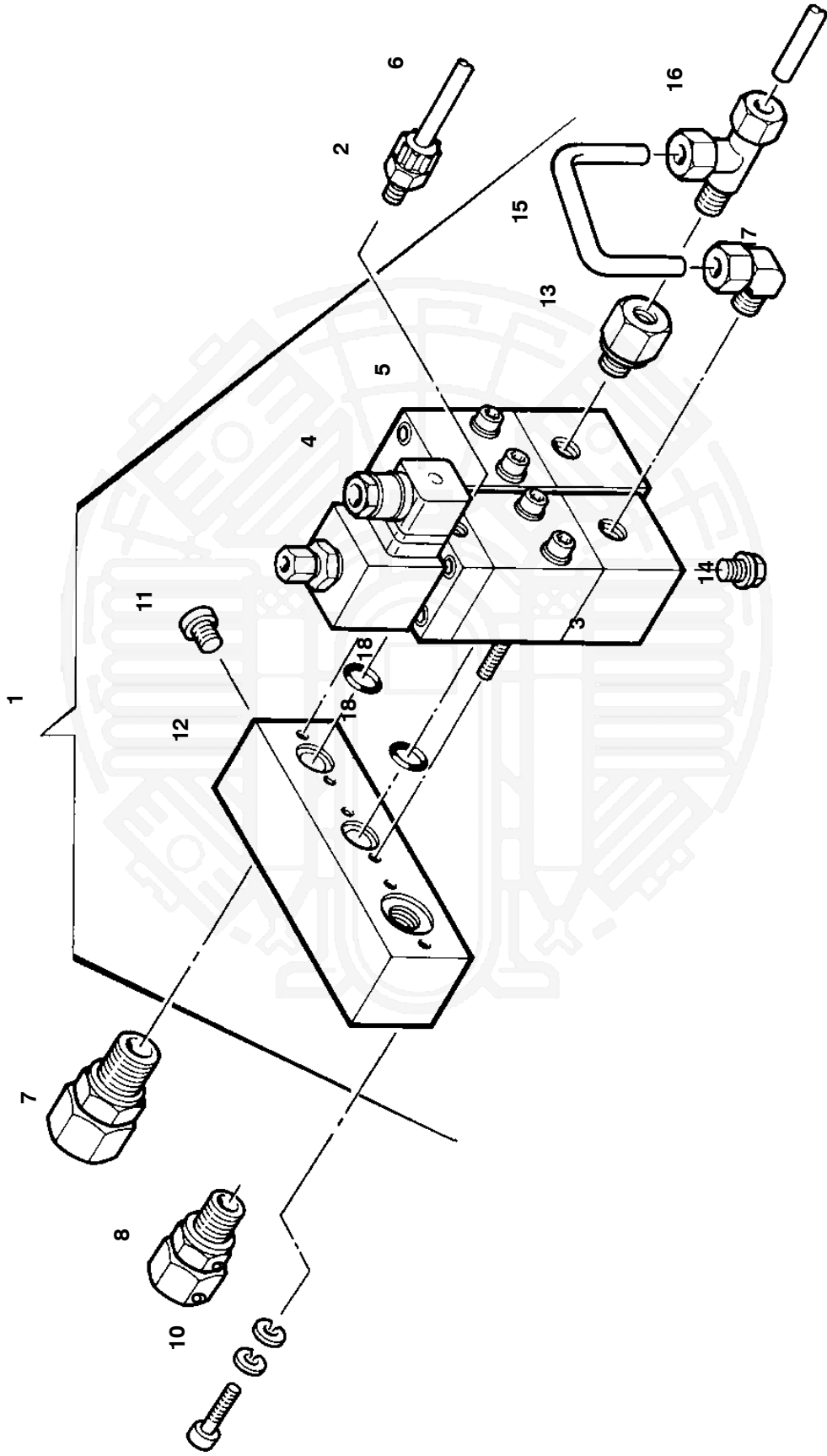




№	№	Zeichen	Bezeichnung	Bezeichnung	Bezeichnung
37	00150-220				
38	68666-640	Druckfeder	Pressure spring	ressort de pression	
39	110959	Stift	Pin	goujon	
40	00151-220	Stift	Pin	goujon	
42	N90043	Versteckdraht	Concealed wire	fil de fer caché	
43	110959	Stift	Pin	goujon	
44					
45					
46					
47	N16008	Wahlwerk	Selector	rotor	
48					
49					
50	N16008	Wahlwerk	Selector	rotor	
51	N16242	Verbindungsstück	Connector	connecteur	
52	110959	Stift	Pin	goujon	
53	06756-250	Partie brassée de Manivelle	Manicobra part	partie de manivelle	
54	01109-200	Feinmutter	Fine nut	écrou fin	
55	065500-635	Kombischraubkopf	Comb screw head	combischraube	
56	64198-645	Drehling	Turner	tournevis	
57	110959	Stift	Pin	goujon	
58	N16077	Leinwand	Canvas	toile	
59	067158-645	Werkzeugsatz f. Kriebseltrieb	Tool set for crank	outils pour le manivelle	
60					
61					
62					
63					
64					
65					
66					
67					
68					
69					
70					
71					
72					
73					
74					
75					
76					
77					
78					
79					
80					
81					
82					
83					
84					
85					
86					
87					
88					
89					
90					
91					
92					
93					
94					
95					
96					
97					
98					
99					
100					

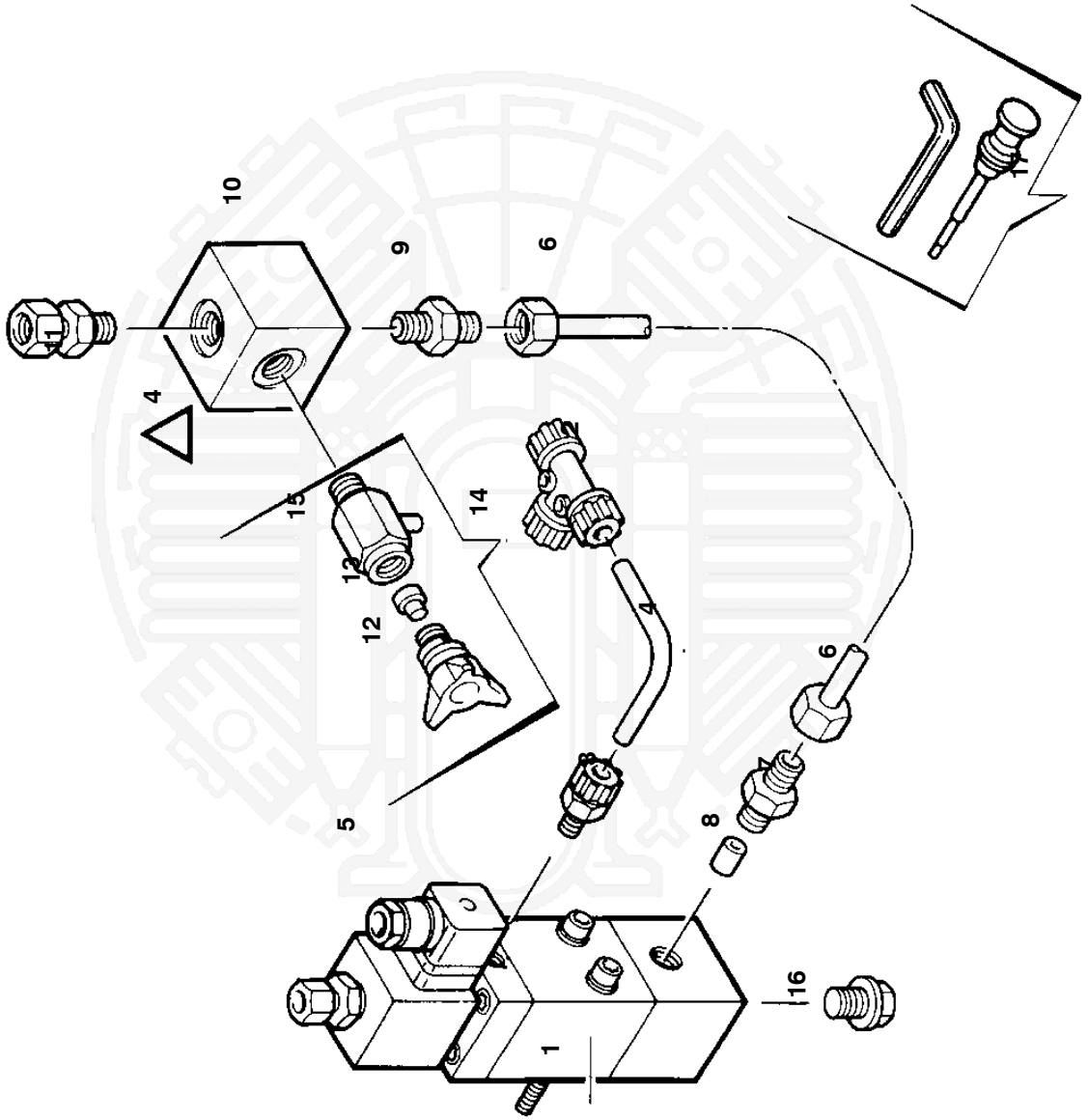




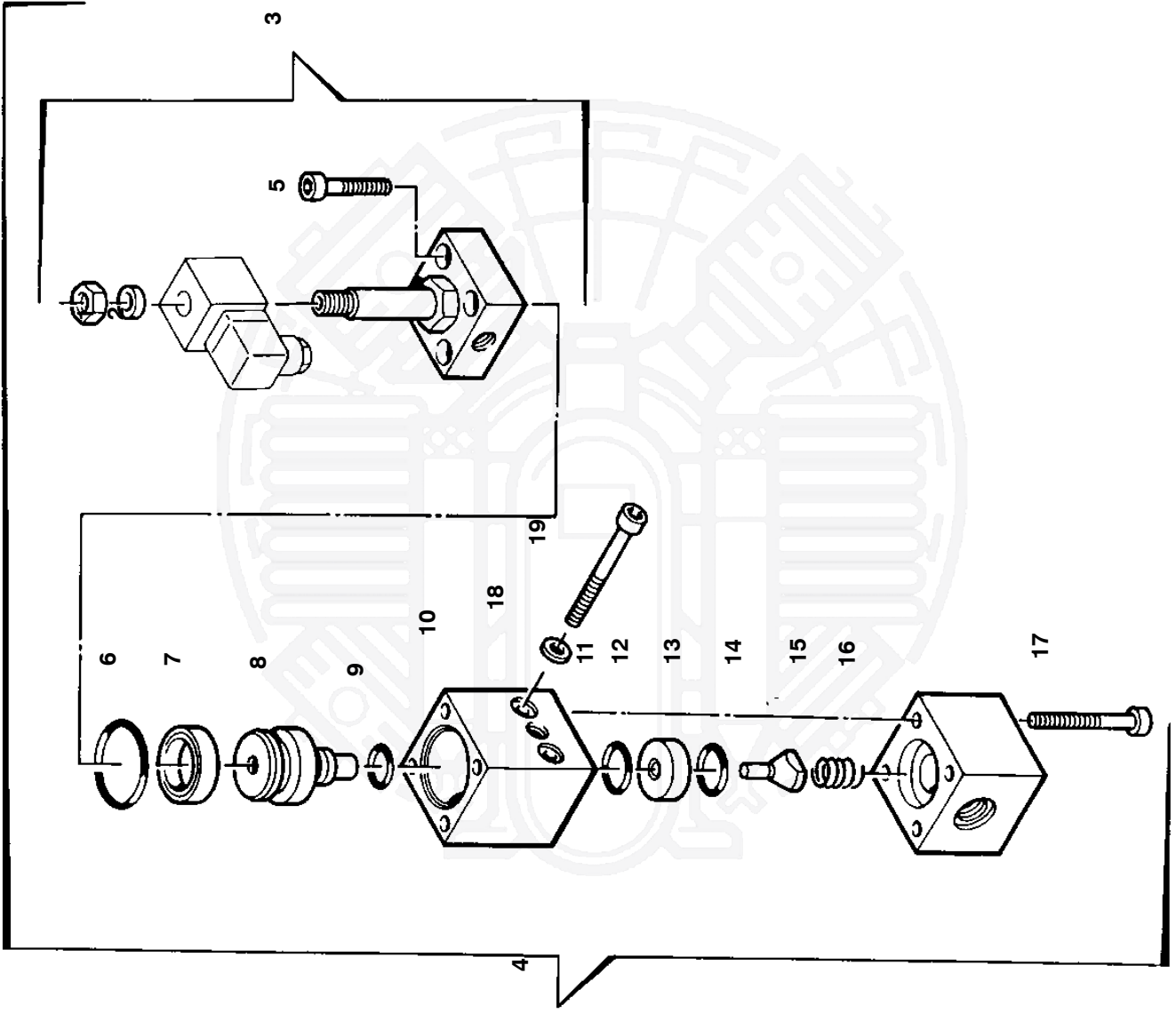




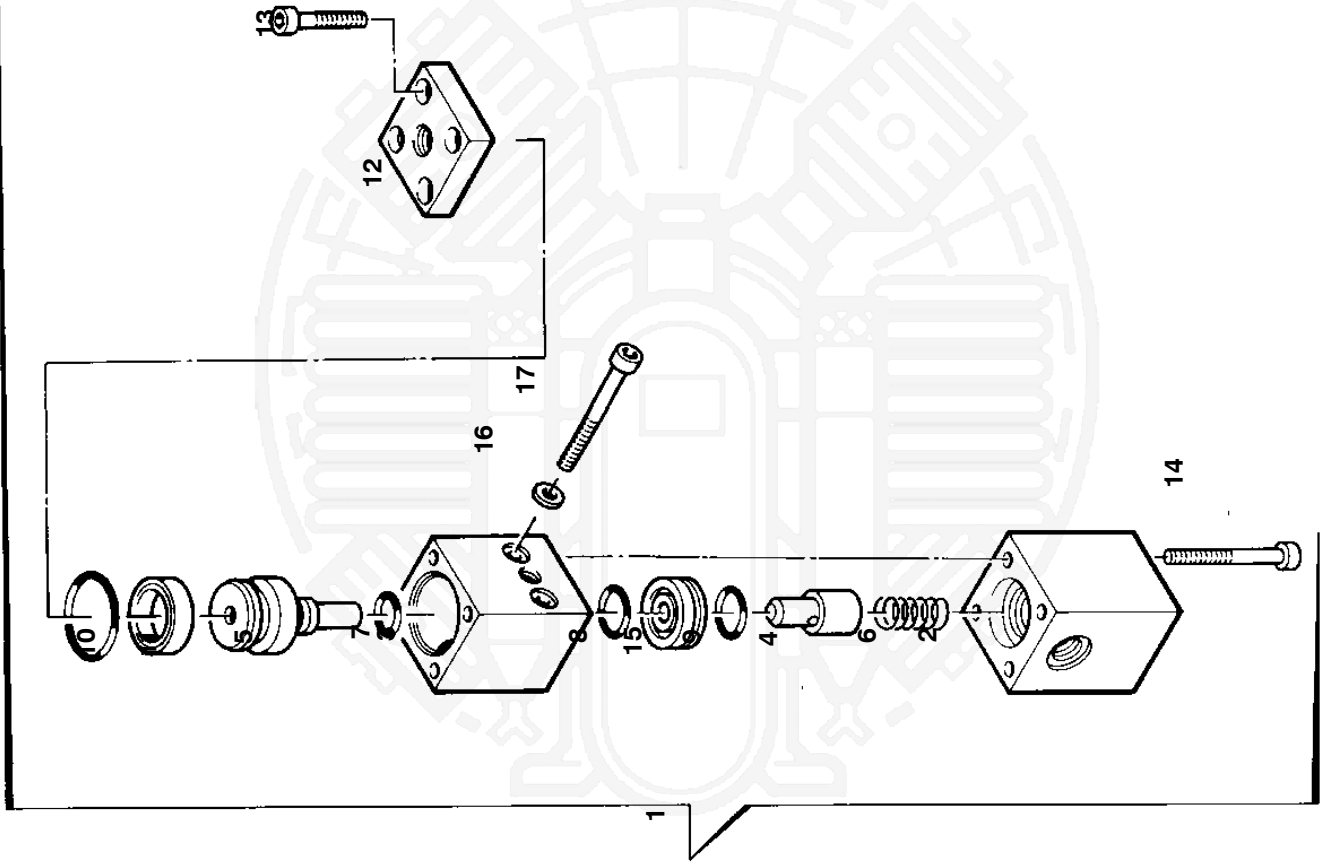
Class	Part No.	Qty	Description	Material	Notes
1	N-90000	1	Spare parts kit	Steel	
2	N-90001	1	Washer	Steel	
3	N-90002	1	Washer	Steel	
4	N-90003	1	Washer	Steel	
5	N-90004	1	Washer	Steel	
6	N-90005	1	Washer	Steel	
7	N-90006	1	Washer	Steel	
8	N-90007	1	Washer	Steel	
9	N-90008	1	Washer	Steel	
10	N-90009	1	Washer	Steel	
11	N-90010	1	Washer	Steel	
12	N-90011	1	Washer	Steel	
13	N-90012	1	Washer	Steel	
14	N-90013	1	Washer	Steel	
15	N-90014	1	Washer	Steel	
16	N-90015	1	Washer	Steel	
17	N-90016	1	Washer	Steel	
18	N-90017	1	Washer	Steel	
19	N-90018	1	Washer	Steel	
20	N-90019	1	Washer	Steel	
21	N-90020	1	Washer	Steel	
22	N-90021	1	Washer	Steel	
23	N-90022	1	Washer	Steel	
24	N-90023	1	Washer	Steel	
25	N-90024	1	Washer	Steel	
26	N-90025	1	Washer	Steel	
27	N-90026	1	Washer	Steel	
28	N-90027	1	Washer	Steel	
29	N-90028	1	Washer	Steel	
30	N-90029	1	Washer	Steel	
31	N-90030	1	Washer	Steel	
32	N-90031	1	Washer	Steel	
33	N-90032	1	Washer	Steel	
34	N-90033	1	Washer	Steel	
35	N-90034	1	Washer	Steel	
36	N-90035	1	Washer	Steel	
37	N-90036	1	Washer	Steel	
38	N-90037	1	Washer	Steel	
39	N-90038	1	Washer	Steel	
40	N-90039	1	Washer	Steel	
41	N-90040	1	Washer	Steel	
42	N-90041	1	Washer	Steel	
43	N-90042	1	Washer	Steel	
44	N-90043	1	Washer	Steel	
45	N-90044	1	Washer	Steel	
46	N-90045	1	Washer	Steel	
47	N-90046	1	Washer	Steel	
48	N-90047	1	Washer	Steel	
49	N-90048	1	Washer	Steel	
50	N-90049	1	Washer	Steel	
51	N-90050	1	Washer	Steel	
52	N-90051	1	Washer	Steel	
53	N-90052	1	Washer	Steel	
54	N-90053	1	Washer	Steel	
55	N-90054	1	Washer	Steel	
56	N-90055	1	Washer	Steel	
57	N-90056	1	Washer	Steel	
58	N-90057	1	Washer	Steel	
59	N-90058	1	Washer	Steel	
60	N-90059	1	Washer	Steel	
61	N-90060	1	Washer	Steel	
62	N-90061	1	Washer	Steel	
63	N-90062	1	Washer	Steel	
64	N-90063	1	Washer	Steel	
65	N-90064	1	Washer	Steel	
66	N-90065	1	Washer	Steel	
67	N-90066	1	Washer	Steel	
68	N-90067	1	Washer	Steel	
69	N-90068	1	Washer	Steel	
70	N-90069	1	Washer	Steel	
71	N-90070	1	Washer	Steel	
72	N-90071	1	Washer	Steel	
73	N-90072	1	Washer	Steel	
74	N-90073	1	Washer	Steel	
75	N-90074	1	Washer	Steel	
76	N-90075	1	Washer	Steel	
77	N-90076	1	Washer	Steel	
78	N-90077	1	Washer	Steel	
79	N-90078	1	Washer	Steel	
80	N-90079	1	Washer	Steel	
81	N-90080	1	Washer	Steel	
82	N-90081	1	Washer	Steel	
83	N-90082	1	Washer	Steel	
84	N-90083	1	Washer	Steel	
85	N-90084	1	Washer	Steel	
86	N-90085	1	Washer	Steel	
87	N-90086	1	Washer	Steel	
88	N-90087	1	Washer	Steel	
89	N-90088	1	Washer	Steel	
90	N-90089	1	Washer	Steel	
91	N-90090	1	Washer	Steel	
92	N-90091	1	Washer	Steel	
93	N-90092	1	Washer	Steel	
94	N-90093	1	Washer	Steel	
95	N-90094	1	Washer	Steel	
96	N-90095	1	Washer	Steel	
97	N-90096	1	Washer	Steel	
98	N-90097	1	Washer	Steel	
99	N-90098	1	Washer	Steel	
100	N-90099	1	Washer	Steel	



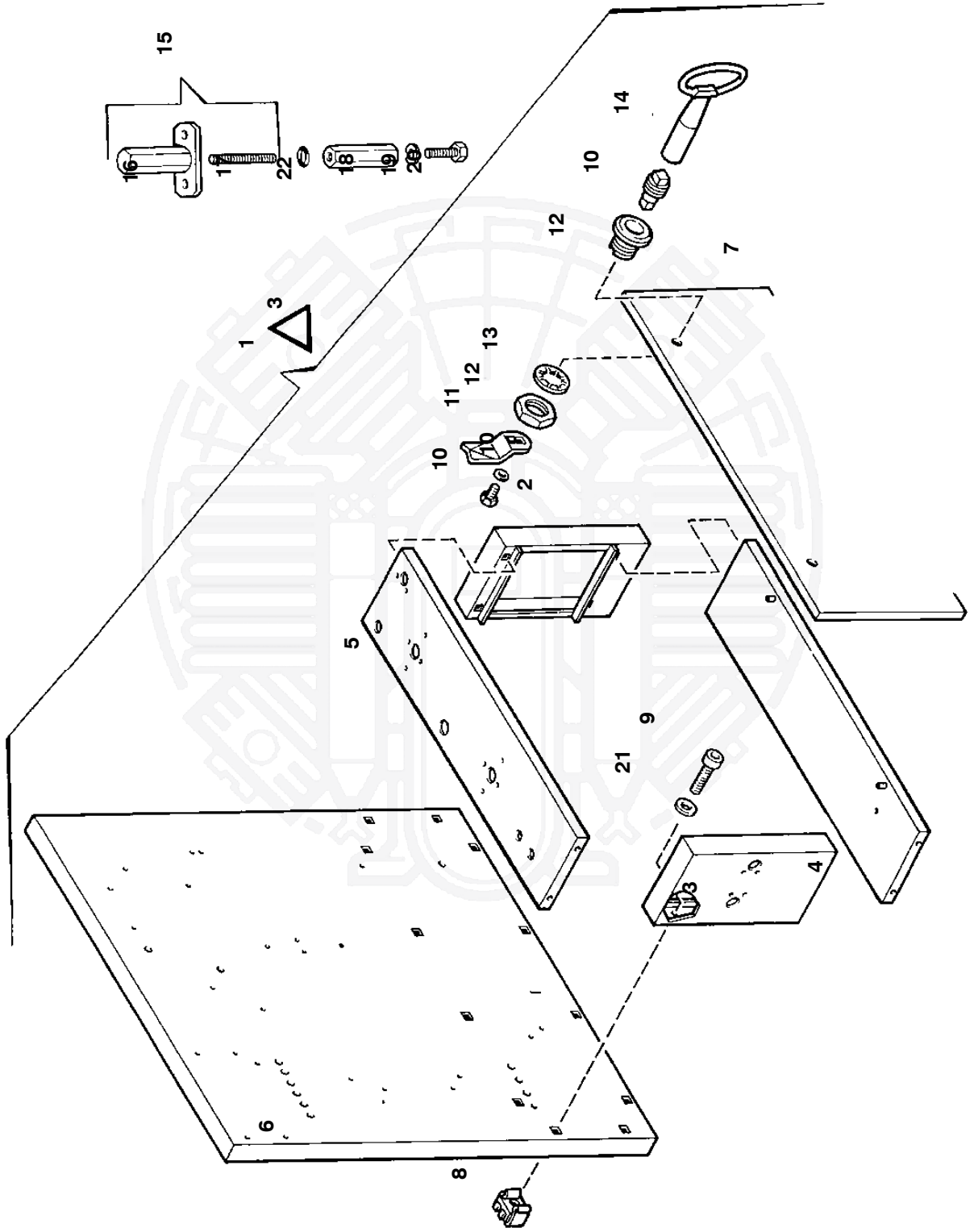
Class	Part No.	Qty	Description	Material	Dimensions
1	060410-270		Condensator 2 poles 250V 0.002	Condensator	
2	N 46331		Maltraitée	Maltraitée	H 6x6 x 10
3	N 470033		Condensator	Condensator	
4	N 476033		Capacitor	Capacitor	
5	N 48233		Magnetspitze	Bolnne	H 15 x 15
6	N 470033		Condensator	Condensator	
7	N 470033		Condensator	Condensator	
8	N 470033		Condensator	Condensator	
9	N 470033		Condensator	Condensator	
10	N 470033		Condensator	Condensator	
11	N 470033		Condensator	Condensator	
12	N 470033		Condensator	Condensator	
13	N 470033		Condensator	Condensator	
14	N 470033		Condensator	Condensator	
15	N 470033		Condensator	Condensator	
16	N 470033		Condensator	Condensator	
17	N 470033		Condensator	Condensator	
18	N 470033		Condensator	Condensator	
19	N 470033		Condensator	Condensator	
20	N 470033		Condensator	Condensator	
21	N 470033		Condensator	Condensator	
22	N 470033		Condensator	Condensator	
23	N 470033		Condensator	Condensator	
24	N 470033		Condensator	Condensator	
25	N 470033		Condensator	Condensator	
26	N 470033		Condensator	Condensator	
27	N 470033		Condensator	Condensator	
28	N 470033		Condensator	Condensator	
29	N 470033		Condensator	Condensator	
30	N 470033		Condensator	Condensator	
31	N 470033		Condensator	Condensator	
32	N 470033		Condensator	Condensator	
33	N 470033		Condensator	Condensator	
34	N 470033		Condensator	Condensator	
35	N 470033		Condensator	Condensator	
36	N 470033		Condensator	Condensator	
37	N 470033		Condensator	Condensator	
38	N 470033		Condensator	Condensator	
39	N 470033		Condensator	Condensator	
40	N 470033		Condensator	Condensator	
41	N 470033		Condensator	Condensator	
42	N 470033		Condensator	Condensator	
43	N 470033		Condensator	Condensator	
44	N 470033		Condensator	Condensator	
45	N 470033		Condensator	Condensator	
46	N 470033		Condensator	Condensator	
47	N 470033		Condensator	Condensator	
48	N 470033		Condensator	Condensator	
49	N 470033		Condensator	Condensator	
50	N 470033		Condensator	Condensator	
51	N 470033		Condensator	Condensator	
52	N 470033		Condensator	Condensator	
53	N 470033		Condensator	Condensator	
54	N 470033		Condensator	Condensator	
55	N 470033		Condensator	Condensator	
56	N 470033		Condensator	Condensator	
57	N 470033		Condensator	Condensator	
58	N 470033		Condensator	Condensator	
59	N 470033		Condensator	Condensator	
60	N 470033		Condensator	Condensator	
61	N 470033		Condensator	Condensator	
62	N 470033		Condensator	Condensator	
63	N 470033		Condensator	Condensator	
64	N 470033		Condensator	Condensator	
65	N 470033		Condensator	Condensator	
66	N 470033		Condensator	Condensator	
67	N 470033		Condensator	Condensator	
68	N 470033		Condensator	Condensator	
69	N 470033		Condensator	Condensator	
70	N 470033		Condensator	Condensator	
71	N 470033		Condensator	Condensator	
72	N 470033		Condensator	Condensator	
73	N 470033		Condensator	Condensator	
74	N 470033		Condensator	Condensator	
75	N 470033		Condensator	Condensator	
76	N 470033		Condensator	Condensator	
77	N 470033		Condensator	Condensator	
78	N 470033		Condensator	Condensator	
79	N 470033		Condensator	Condensator	
80	N 470033		Condensator	Condensator	
81	N 470033		Condensator	Condensator	
82	N 470033		Condensator	Condensator	
83	N 470033		Condensator	Condensator	
84	N 470033		Condensator	Condensator	
85	N 470033		Condensator	Condensator	
86	N 470033		Condensator	Condensator	
87	N 470033		Condensator	Condensator	
88	N 470033		Condensator	Condensator	
89	N 470033		Condensator	Condensator	
90	N 470033		Condensator	Condensator	
91	N 470033		Condensator	Condensator	
92	N 470033		Condensator	Condensator	
93	N 470033		Condensator	Condensator	
94	N 470033		Condensator	Condensator	
95	N 470033		Condensator	Condensator	
96	N 470033		Condensator	Condensator	
97	N 470033		Condensator	Condensator	
98	N 470033		Condensator	Condensator	
99	N 470033		Condensator	Condensator	
100	N 470033		Condensator	Condensator	



Part No.	Part Name	Material	Quantity	Unit	Notes
1	Spate-partis-ecris	Alu	1	pc	
2	Schleife	Alu	1	pc	
3	Washer	Alu	1	pc	
4	Washer	Alu	1	pc	
5	Washer	Alu	1	pc	
6	Washer	Alu	1	pc	
7	Washer	Alu	1	pc	
8	Washer	Alu	1	pc	
9	Washer	Alu	1	pc	
10	Washer	Alu	1	pc	
11	Washer	Alu	1	pc	
12	Washer	Alu	1	pc	
13	Washer	Alu	1	pc	
14	Washer	Alu	1	pc	
15	Washer	Alu	1	pc	
16	Washer	Alu	1	pc	
17	Washer	Alu	1	pc	
18	Washer	Alu	1	pc	
19	Washer	Alu	1	pc	
20	Washer	Alu	1	pc	
21	Washer	Alu	1	pc	
22	Washer	Alu	1	pc	
23	Washer	Alu	1	pc	
24	Washer	Alu	1	pc	
25	Washer	Alu	1	pc	
26	Washer	Alu	1	pc	
27	Washer	Alu	1	pc	
28	Washer	Alu	1	pc	
29	Washer	Alu	1	pc	
30	Washer	Alu	1	pc	
31	Washer	Alu	1	pc	
32	Washer	Alu	1	pc	
33	Washer	Alu	1	pc	
34	Washer	Alu	1	pc	
35	Washer	Alu	1	pc	
36	Washer	Alu	1	pc	
37	Washer	Alu	1	pc	
38	Washer	Alu	1	pc	
39	Washer	Alu	1	pc	
40	Washer	Alu	1	pc	
41	Washer	Alu	1	pc	
42	Washer	Alu	1	pc	
43	Washer	Alu	1	pc	
44	Washer	Alu	1	pc	
45	Washer	Alu	1	pc	
46	Washer	Alu	1	pc	
47	Washer	Alu	1	pc	
48	Washer	Alu	1	pc	
49	Washer	Alu	1	pc	
50	Washer	Alu	1	pc	
51	Washer	Alu	1	pc	
52	Washer	Alu	1	pc	
53	Washer	Alu	1	pc	
54	Washer	Alu	1	pc	
55	Washer	Alu	1	pc	
56	Washer	Alu	1	pc	
57	Washer	Alu	1	pc	
58	Washer	Alu	1	pc	
59	Washer	Alu	1	pc	
60	Washer	Alu	1	pc	
61	Washer	Alu	1	pc	
62	Washer	Alu	1	pc	
63	Washer	Alu	1	pc	
64	Washer	Alu	1	pc	
65	Washer	Alu	1	pc	
66	Washer	Alu	1	pc	
67	Washer	Alu	1	pc	
68	Washer	Alu	1	pc	
69	Washer	Alu	1	pc	
70	Washer	Alu	1	pc	
71	Washer	Alu	1	pc	
72	Washer	Alu	1	pc	
73	Washer	Alu	1	pc	
74	Washer	Alu	1	pc	
75	Washer	Alu	1	pc	
76	Washer	Alu	1	pc	
77	Washer	Alu	1	pc	
78	Washer	Alu	1	pc	
79	Washer	Alu	1	pc	
80	Washer	Alu	1	pc	
81	Washer	Alu	1	pc	
82	Washer	Alu	1	pc	
83	Washer	Alu	1	pc	
84	Washer	Alu	1	pc	
85	Washer	Alu	1	pc	
86	Washer	Alu	1	pc	
87	Washer	Alu	1	pc	
88	Washer	Alu	1	pc	
89	Washer	Alu	1	pc	
90	Washer	Alu	1	pc	
91	Washer	Alu	1	pc	
92	Washer	Alu	1	pc	
93	Washer	Alu	1	pc	
94	Washer	Alu	1	pc	
95	Washer	Alu	1	pc	
96	Washer	Alu	1	pc	
97	Washer	Alu	1	pc	
98	Washer	Alu	1	pc	
99	Washer	Alu	1	pc	
100	Washer	Alu	1	pc	



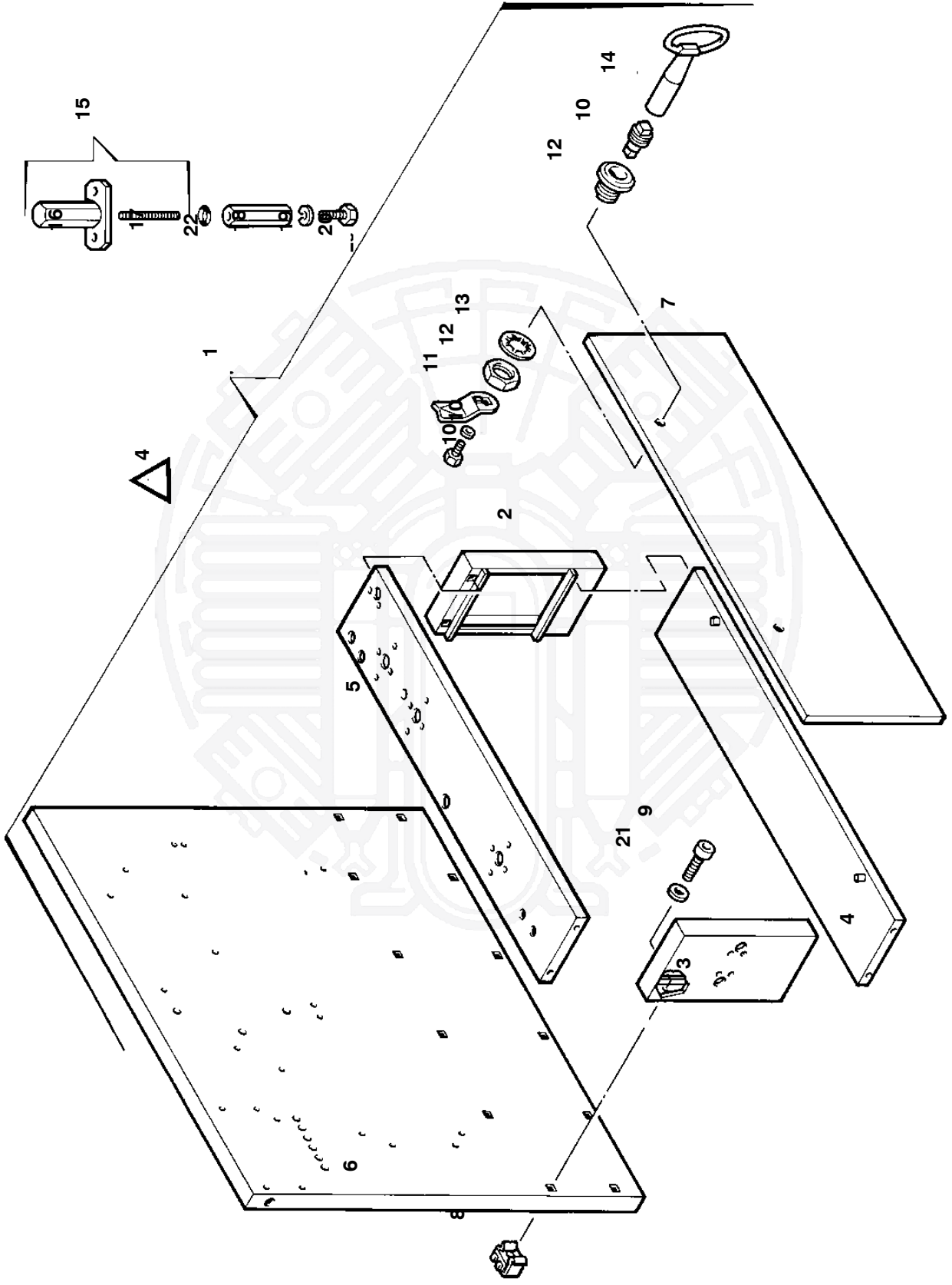














Part No.	Part Name	Part Description	Part No.	Part Name	Part Description
18	N100004	Platine	13	Weglin	Dimensionen
19	N90005	Elektrische Steuerung	14	Weglin	Dimensionen
20	N20002	Wahlweise Steuerung	15	Weglin	Dimensionen
21	N100003	Platine	16	Weglin	Dimensionen
22	90002-992	Abdeckplatte	17	Weglin	Dimensionen
23	90003	Wahlweise	18	Weglin	Dimensionen
24	90004	Wahlweise	19	Weglin	Dimensionen
25	90005	Wahlweise	20	Weglin	Dimensionen
26	90006	Wahlweise	21	Weglin	Dimensionen
27	90007	Wahlweise	22	Weglin	Dimensionen
28	90008	Wahlweise	23	Weglin	Dimensionen
29	90009	Wahlweise	24	Weglin	Dimensionen
30	90010	Wahlweise	25	Weglin	Dimensionen
31	90011	Wahlweise	26	Weglin	Dimensionen
32	90012	Wahlweise	27	Weglin	Dimensionen
33	90013	Wahlweise	28	Weglin	Dimensionen
34	90014	Wahlweise	29	Weglin	Dimensionen
35	90015	Wahlweise	30	Weglin	Dimensionen
36	90016	Wahlweise	31	Weglin	Dimensionen
37	90017	Wahlweise	32	Weglin	Dimensionen
38	90018	Wahlweise	33	Weglin	Dimensionen
39	90019	Wahlweise	34	Weglin	Dimensionen
40	90020	Wahlweise	35	Weglin	Dimensionen
41	90021	Wahlweise	36	Weglin	Dimensionen
42	90022	Wahlweise	37	Weglin	Dimensionen
43	90023	Wahlweise	38	Weglin	Dimensionen
44	90024	Wahlweise	39	Weglin	Dimensionen
45	90025	Wahlweise	40	Weglin	Dimensionen
46	90026	Wahlweise	41	Weglin	Dimensionen
47	90027	Wahlweise	42	Weglin	Dimensionen
48	90028	Wahlweise	43	Weglin	Dimensionen
49	90029	Wahlweise	44	Weglin	Dimensionen
50	90030	Wahlweise	45	Weglin	Dimensionen
51	90031	Wahlweise	46	Weglin	Dimensionen
52	90032	Wahlweise	47	Weglin	Dimensionen
53	90033	Wahlweise	48	Weglin	Dimensionen
54	90034	Wahlweise	49	Weglin	Dimensionen
55	90035	Wahlweise	50	Weglin	Dimensionen
56	90036	Wahlweise	51	Weglin	Dimensionen
57	90037	Wahlweise	52	Weglin	Dimensionen
58	90038	Wahlweise	53	Weglin	Dimensionen
59	90039	Wahlweise	54	Weglin	Dimensionen
60	90040	Wahlweise	55	Weglin	Dimensionen
61	90041	Wahlweise	56	Weglin	Dimensionen
62	90042	Wahlweise	57	Weglin	Dimensionen
63	90043	Wahlweise	58	Weglin	Dimensionen
64	90044	Wahlweise	59	Weglin	Dimensionen
65	90045	Wahlweise	60	Weglin	Dimensionen
66	90046	Wahlweise	61	Weglin	Dimensionen
67	90047	Wahlweise	62	Weglin	Dimensionen
68	90048	Wahlweise	63	Weglin	Dimensionen
69	90049	Wahlweise	64	Weglin	Dimensionen
70	90050	Wahlweise	65	Weglin	Dimensionen
71	90051	Wahlweise	66	Weglin	Dimensionen
72	90052	Wahlweise	67	Weglin	Dimensionen
73	90053	Wahlweise	68	Weglin	Dimensionen
74	90054	Wahlweise	69	Weglin	Dimensionen
75	90055	Wahlweise	70	Weglin	Dimensionen
76	90056	Wahlweise	71	Weglin	Dimensionen
77	90057	Wahlweise	72	Weglin	Dimensionen
78	90058	Wahlweise	73	Weglin	Dimensionen
79	90059	Wahlweise	74	Weglin	Dimensionen
80	90060	Wahlweise	75	Weglin	Dimensionen
81	90061	Wahlweise	76	Weglin	Dimensionen
82	90062	Wahlweise	77	Weglin	Dimensionen
83	90063	Wahlweise	78	Weglin	Dimensionen
84	90064	Wahlweise	79	Weglin	Dimensionen
85	90065	Wahlweise	80	Weglin	Dimensionen
86	90066	Wahlweise	81	Weglin	Dimensionen
87	90067	Wahlweise	82	Weglin	Dimensionen
88	90068	Wahlweise	83	Weglin	Dimensionen
89	90069	Wahlweise	84	Weglin	Dimensionen
90	90070	Wahlweise	85	Weglin	Dimensionen
91	90071	Wahlweise	86	Weglin	Dimensionen
92	90072	Wahlweise	87	Weglin	Dimensionen
93	90073	Wahlweise	88	Weglin	Dimensionen
94	90074	Wahlweise	89	Weglin	Dimensionen
95	90075	Wahlweise	90	Weglin	Dimensionen
96	90076	Wahlweise	91	Weglin	Dimensionen
97	90077	Wahlweise	92	Weglin	Dimensionen
98	90078	Wahlweise	93	Weglin	Dimensionen
99	90079	Wahlweise	94	Weglin	Dimensionen
100	90080	Wahlweise	95	Weglin	Dimensionen